



5570-01

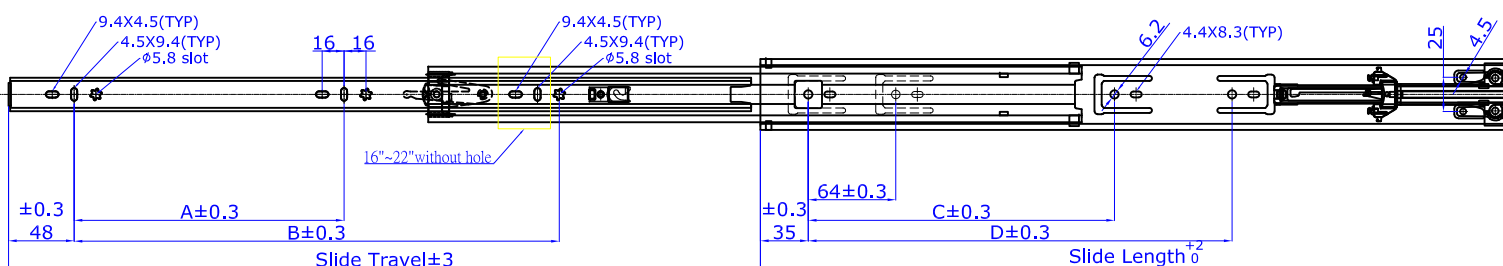


SOFT-CLOSE DRAWER SLIDE

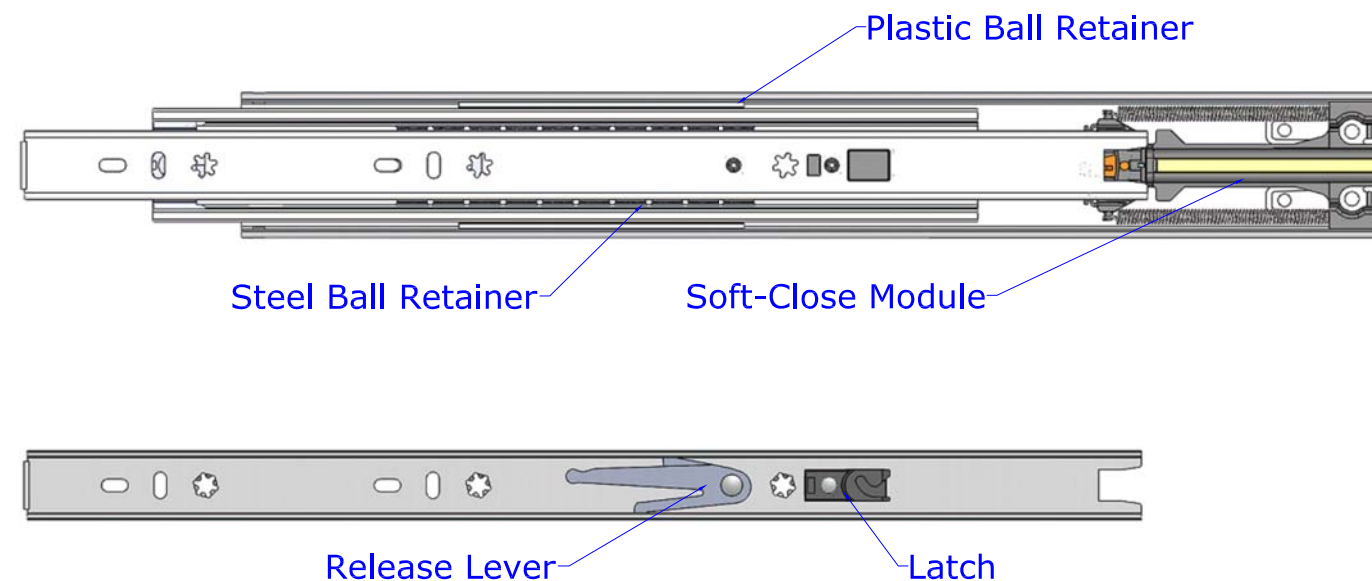
Mounting	Side	<p>Profile</p>
Side Clearance	13.2mm +0.5/0	
Height	51.9mm	
Soft-Closing Stroke	16"-28"=55mm.	
Material	Steel	
Load Rating	70kg at 18" (450mm)	
Size	16" to 28" (400mm to 700mm)	
Travel	"Slide Travel" as listed table below	
Disconnect	Lever	
Finish	Electro-Zinc plated with clear, yellow or black chromate	

All Dimensions are in Millimeters (mm)

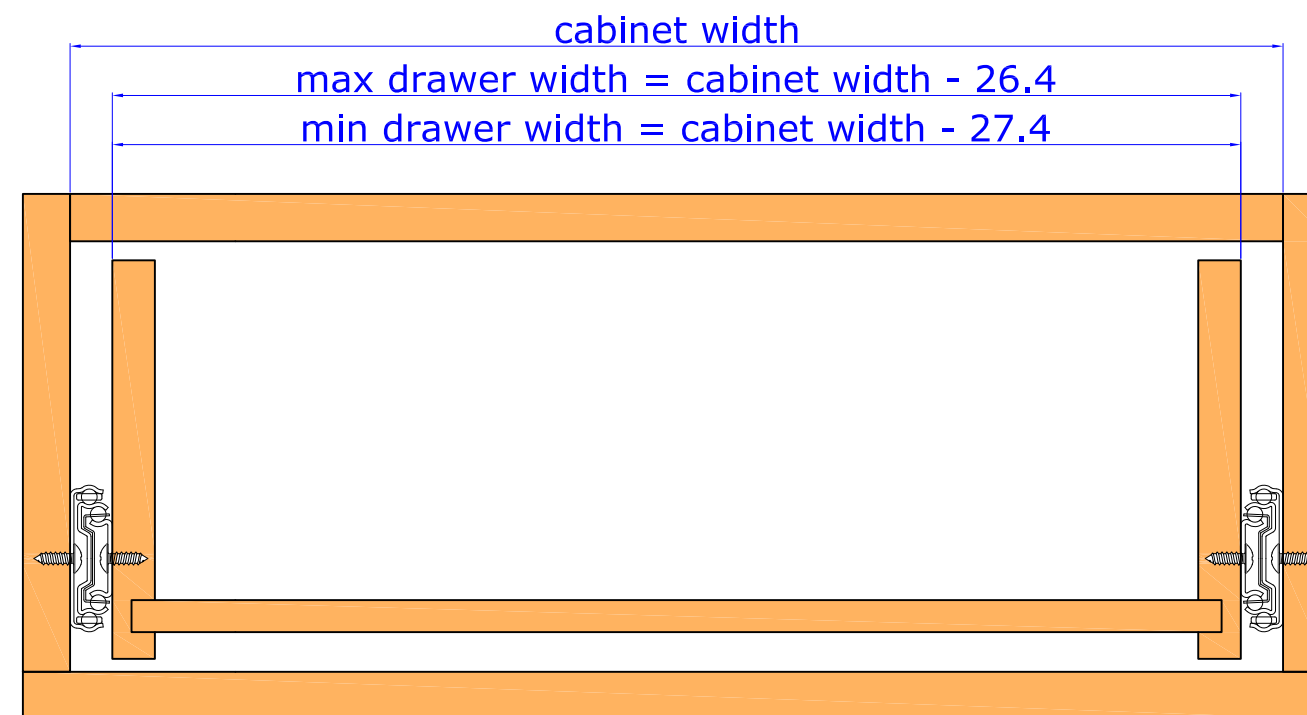
Slide Dimensions



SIZE	Slide length	Slide Travel	Load Rating/Kg	A	B	C	D
16" (400)	400	380	50	96	219	160	
18" (450)	450	440	70	128	269	192	
20" (500)	500	500	75	160	319	256	
22" (550)	550	550	80	192	369	224	288
24" (600)	600	600	75	224	419	224	352
26" (650)	650	650	70	256	469	224	384
28" (700)	700	700	70	256	519	224	448



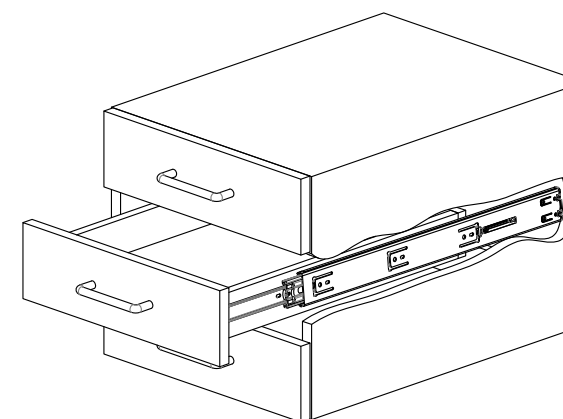
Drawer Slide Mounting Profile



* max drawer width = slide length + 200 (mm)

APPLICATIONS:

For use in wood pedestals, dresser, desk, casework, residential and kitchen cabinetry.



16"-28" 55mm stroke of Soft-Closing

