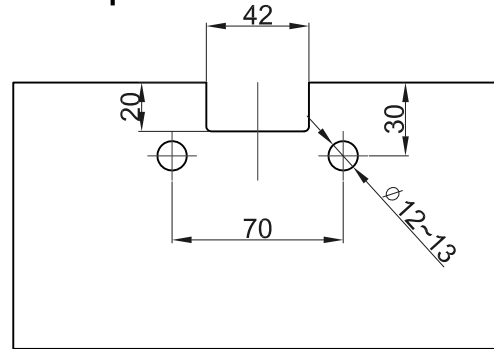
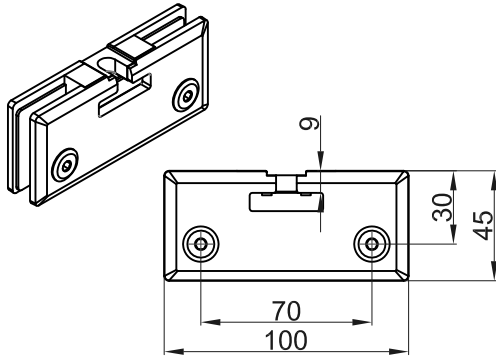


# GSLIDE Sliding Glass Door Hanging Clamp

rev. 200801

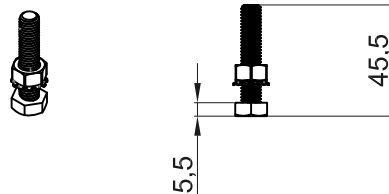
This product is applicable to frameless glass, glass door thickness: 8~12mm, height adjustment:  $\pm 3$  mm

Glass Door Clamp: 2 PCS / Adjustment Wrench: 2 PCS  
Hexagon Key: 1 PCS / Clamp Cover: 2 PCS

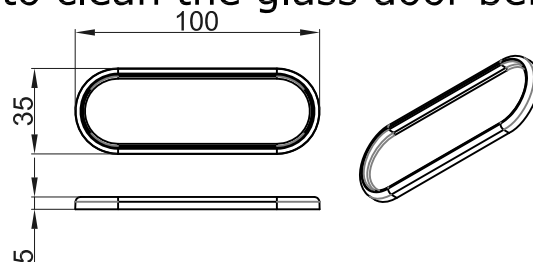


Recommended Hole Dimension

M8 axis: 2 PCS, to be used with M8 pulley.



Transparent glass door handle: 2 PCS, with alcohol swabs.  
(Please use the swabs to clean the glass door before applying the handle.)



Transparent door bottom guide: 1 PC, with screws (expansion bolt included): 1 PC

