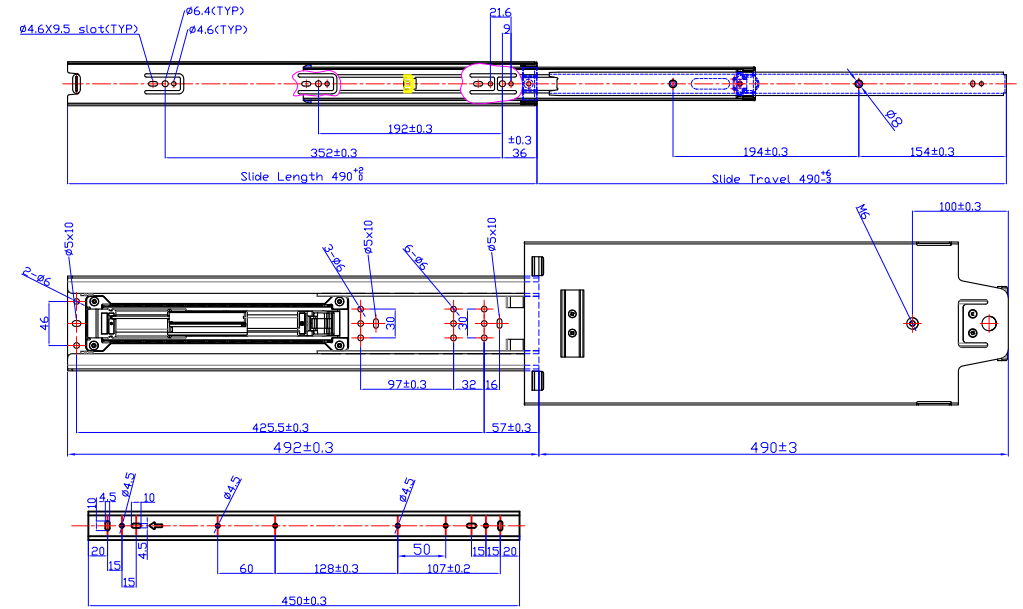
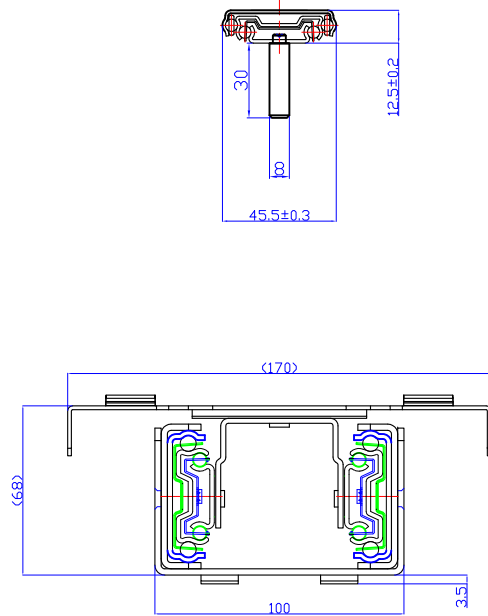


Quick-Mounting Wood Pantry Cabinet (490)

Dimension of Slides and Components

Rev.190601 4-1-05-111

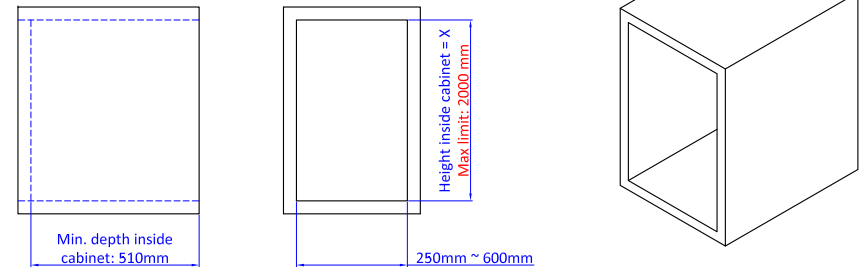


Dimension of Cabinet

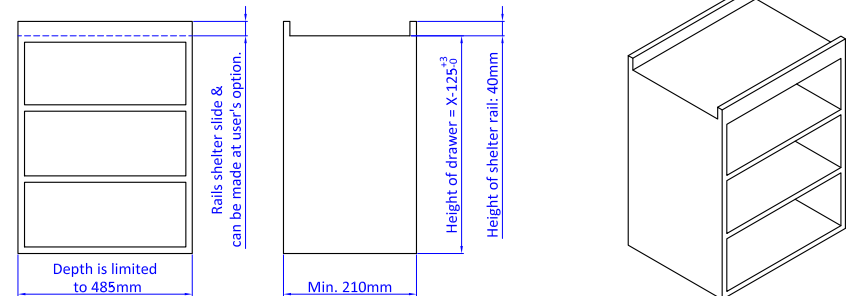
Components & Accessories

	<p>Joint Rail</p>	<p>Non-Featured Upper Slide (490mm L with 490mm travel)</p>
	<p>Accessories Kit for Upper Slide: Front Fixture X 1 Rear Fixture X 1 Flat Screw X 8</p>	<p>Metal Drawer Holder X 1</p>
	<p>Release Lever Kit: Release Lever_L X 1 Release Lever_R X 1 Flat Screw X 4</p>	<p>Lower Slides Set (top with Metal Plate X 1) (Slide 490mm L with 490mm travel)</p>

Carcass (Front Panel to be designed by user)

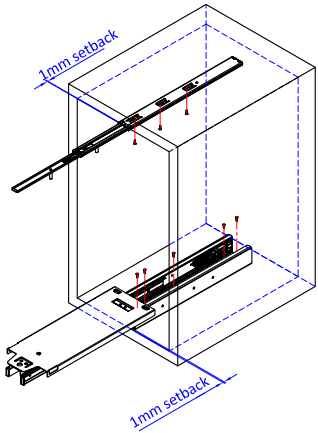


Drawer

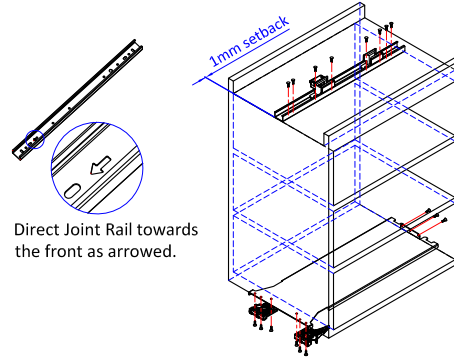


Assembly Description

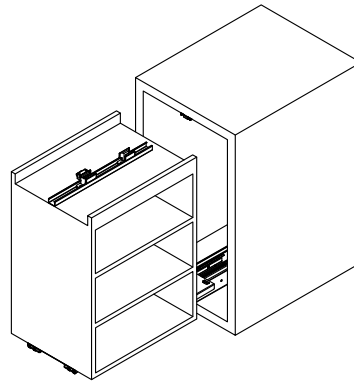
Step 1: Cabinet Assembly
Assemble Upper Slide and Lower-Slide Set in center alignment by 1mm setback.



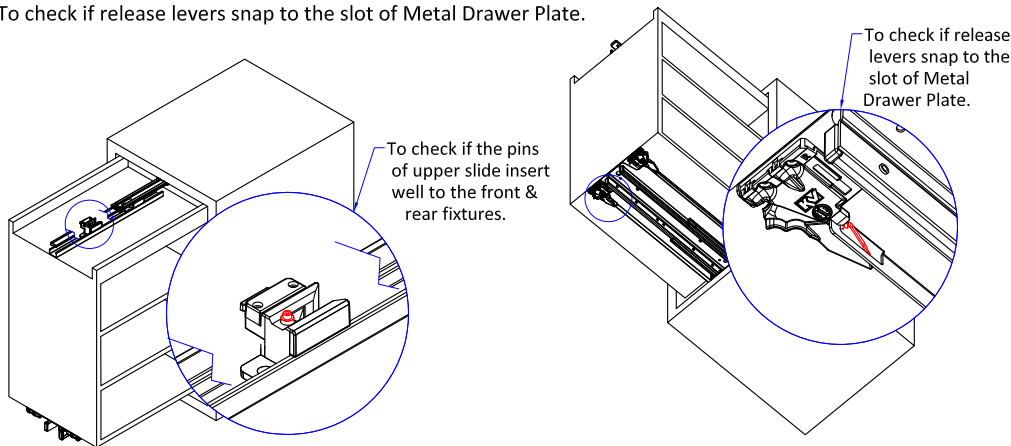
Step 2: Drawer Assembly
* Assemble Metal Drawer Holder in center alignment and Release Lever Kit.
* Assemble Joint Rail in center alignment by 1mm setback towards the front as arrowed.
* Assemble Front Fixture and Rear Fixture to Joint Rail.



Step 3: Mounting Drawer to Cabinet
* Have Upper Slide closed and pull Lower-Slides Set out.
* Put the drawer onto the Metal Plate (of Lower-Slides Set).
* Push in slowly until Release Levers engage Metal Drawer Holder with a snap sound.
* Pull it out and push with a little force again to ensure flush or setback to the cabinet.

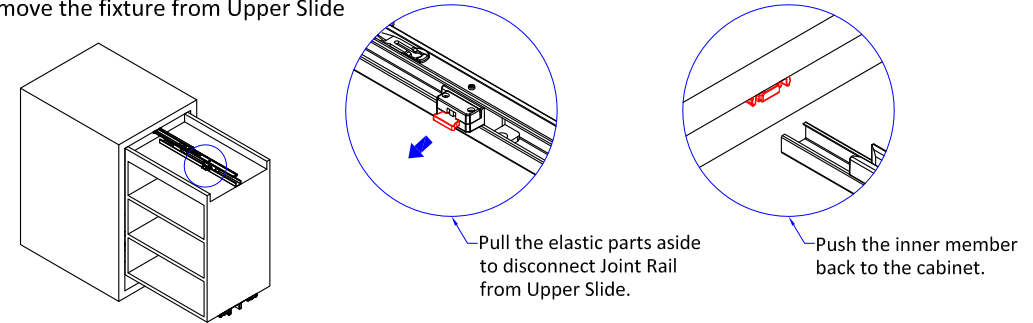


Step 4: Assembly Checking
* To check if the pins of upper slide insert well to the front & rear fixtures.
* To check if release levers snap to the slot of Metal Drawer Plate.

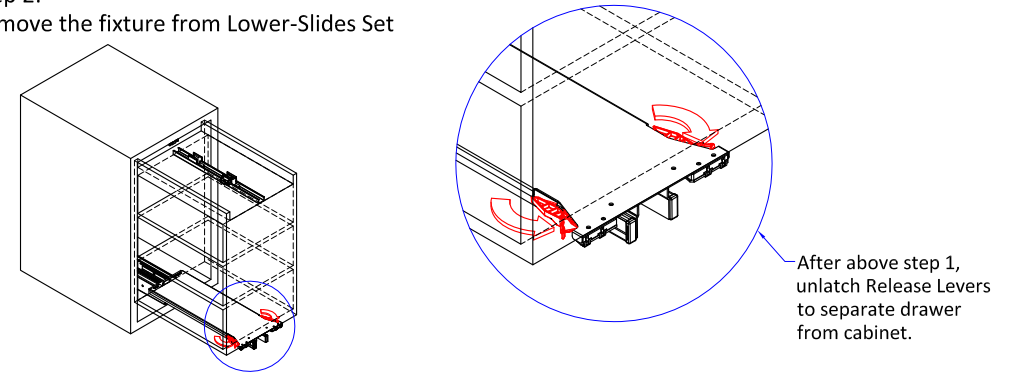


Dismounting Description

Step 1:
Remove the fixture from Upper Slide



Step 2:
Remove the fixture from Lower-Slides Set



Adjustment to Front Panel and Caution

The rear of Lower-Slides Set is designed higher a bit so a small gap may exist above the front panel after assembling.
After front panel assembly, adjust the screw by hex wrench for an ideal height of front panel if needed.
After screw adjustment, pushing Adjustment Levers in that can aid more balance of drawer.

Caution: In case the drawer needs to be assembled again, please loosen Screw and push Adjustment Levers back to the lowest level after dismounting to avoid failure when mounting drawer to cabinet.

